



TEKTELIC Communications Inc.
7657 10th Street NE Calgary, Alberta
Canada, T2E 8X2

KONA ENTERPRISE GEN 2 GATEWAY

USER GUIDE

Document Type:	User Guide
Document Number:	T0009193_UG_Enterprise
Document Issue:	1.9
Document Status:	Released
Product Name:	KONA Enterprise Gen 2 Gateway
Product Code:	See Table 1
Issue Date:	April 23, 2026

PROPRIETARY:

The information contained in this document is the property of TEKTELIC Communications Inc. Except as specifically authorized in writing by TEKTELIC, the holder of this document shall keep all information contained herein confidential, and shall protect the same in whole or in part from disclosure to all third parties.

© 2026 TEKTELIC Communications Inc., all rights reserved.

All products, names, and services are trademarks and registered trademarks of their respective companies.

TEKTELIC Communications Inc.
7657 10th Street NE
Calgary, AB, Canada T2E 8X2
Phone: (403) 338-6900

Table of Contents

List of Tables	3
1 Product Description	4
1.1 Overview	4
1.2 Physical Interfaces	6
1.3 Specifications	7
1.4 Exposed services	7
2 Installation	8
2.1 Overview	8
2.2 Unpacking and Inspection	8
2.3 Dual SIM Slot Operation	9
2.4 Required Equipment for Installation	9
2.5 KONA Enterprise Gateway Mounting	10
2.6 Ground Cable Installation	12
2.7 RF Cable Installation	13
2.8 Copper Ethernet Cable Installation	14
2.9 Proposition 65 Statement	14
3 Radio Compliance Statements	15
Document Revision	17

List of Tables

Table 1: KONA Enterprise Gateway Models.....	4
Table 2: KONA Enterprise Gateway Interface Connector Types	6
Table 3: KONA Enterprise Gateway Specifications.....	7

1 Product Description

1.1 Overview

The KONA Enterprise Gateway module, shown in Figure 1, is a low-power micro-cell gateway with wide-area coverage (up to 500 km²). The module consists of 1 Semtech SX1303 base-band processor multiplexed through an FPGA to provide 8 simultaneous narrowband channels. The design offers both downlink and uplink operations in time-duplex mode. The gateway supports internal LoRa antenna, internal GPS, copper Ethernet backhaul, and optional 3G/4G wireless backhaul with internal Cellular antennas. The gateway also supports external LoRa and Main Cellular antennas via switched-N bulkhead connectors. The KONA Enterprise Gateway is powered through Power Over Ethernet (PoE 802.3af).

Table 1 presents the currently available KONA Enterprise Gateway models.

Table 1: KONA Enterprise Gateway Models

Model	Order Code	Cellular Modem	Region	Channel Plan
T0007430	MOE2TLUS915	Yes	North America	NA915
T0007432	MOE2TEUS915	No	North America	NA915
T0007431	MOE2TLEU868	Yes	Europe	EU868
T0007433	MOE2TEEU868	No	Europe	EU868
T0007431	MOE2TLIN865	Yes	India	IN865
T0007433	MOE2TEIN865	No	India	IN865
T0007431	MOE2TLMA869	Yes	Morocco	MA869
T0007433	MOE2TEMA869	No	Morocco	MA869
T0007430	MOE2TLAU915	Yes	Australia, New Zealand	AU915
T0007432	MOE2TEAU915	No	Australia, New Zealand	AU915
T0007430	MOE2TLA9231	Yes	Multiple Regions	AS923
	MOE2TLA9232			AS923-2
	MOE2TLA9233			AS923-3
	MOE2TLA9234			AS923-4
T0007432	MOE2TEA9231	No	Multiple Regions	AS923
	MOE2TEA9232			AS923-2
	MOE2TEA9233			AS923-3
	MOE2TEA9234			AS923-4
T0007430	MOE2TLID923	Yes	Indonesia	ID923-2
T0007432	MOE2TEID923	No	Indonesia	ID923-2
T0007430	MOE2TLBR915	Yes	Brazil	BR915
T0007432	MOE2TEBR915	No	Brazil	BR915
T0007430	MOE2TLKR920	Yes	South Korea	KR920
T0007432	MOE2TEKR920	No	South Korea	KR920

T0007430	MOE2TLJP923	Yes	Japan	JP923
T0007432	MOE2TEJP923	No	Japan	JP923
T0007242	MOEN1LBZ915	Yes	Brazil	BR915
T0007242	MOEN1LUS915	Yes	North America	NA915
T0007242	QMCENTKITUS915	Yes	North America	NA915
T0007242	VIAANIXENTR	Yes	North America	NA915
T0007358	MOEN1LEU868	Yes	Europe	EU868
T0007358	MOEN1LIN868	Yes	India	IN865
T0007358	MOEN1LMR869	Yes	Morocco	MA869

Figure 2 illustrates the KONA Enterprise Gateway external form-factor. All models share the same mechanical form-factor.



Figure 1: KONA Enterprise Gateway

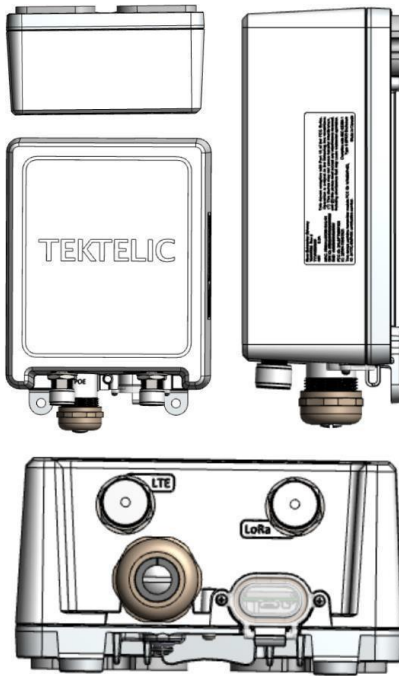


Figure 2: KONA Enterprise Gateway

1.2 Physical Interfaces

Figure 3 illustrates the bulkhead layout for the KONA Enterprise Gateway.

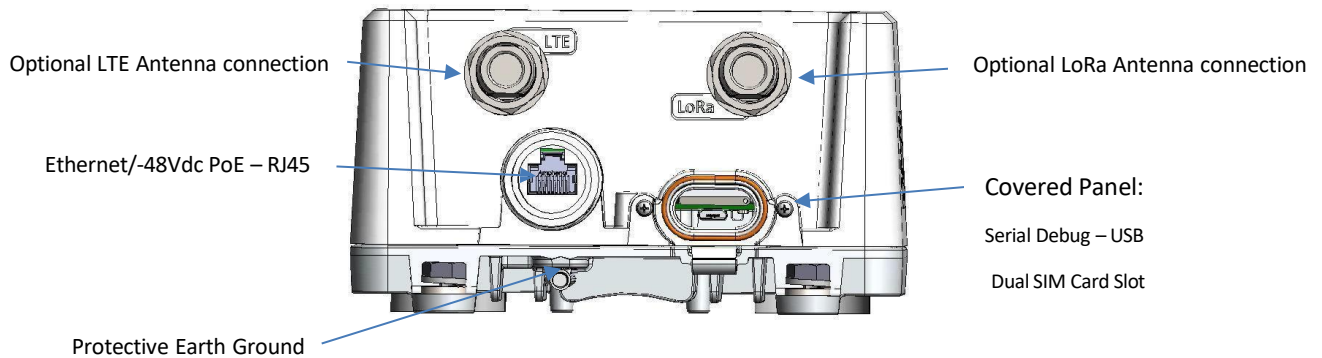


Figure 3: KONA Gateway Bulkhead Layout

The KONA Enterprise Gateway connectors are listed in Table 2.

Table 2: KONA Enterprise Gateway Interface Connector Types

Interface	Connector Type	Mating Connector
LoRa Antenna	N-Type female	Industry standard N-Type male
Cellular Antenna	N-Type female	Industry standard N-Type male

Copper Ethernet	RJ45 Modular Jack	RJ45 modular plug followed by CAT 5e cable
Earth Ground	Compression lug	Industry standard single-hole lug, M4 (#8)

1.3 Specifications

The KONA Enterprise Gateway specifications are listed in Table 3.

Table 3: KONA Enterprise Gateway Specifications

Attribute	Specification
Dimensions	178.8 x 145.8 x 79.5 mm (body only) 207.8 x 145.8 x 79.5 mm (Total, including connectors)
Weight	1160 g
Operating Temperature	-40 °C to 60 °C
Relative Humidity	10% to 100 % Condensing
Operating Altitude	-60 m to 4,000 m (-197 ft to 13,123 ft)
Power Input	IEEE 802.3af, Mode A or Mode B or 4-pair Mode 48 VDC nominal, 37 to 57 VDC operating range 0.3 A maximum
DC Power Consumption	2.5 W (Typical)
Ingress Protection	IP-67
Regulatory Compliance	Safety: UL/CSA/EN/IEC 62368-1 Radiated Immunity: EN 61000-4-3 ESD Immunity: EN 61000-4-2 EFT Immunity: EN 61000-4-4 Conducted Immunity: EN 61000-4-6 Surge Immunity: EN 61000-4-5 Emissions: FCC pt. 15.109 Class B, FCC pt. 15.209, FCC pt. 15.247, EN 300 220, EN 301 489

1.4 Exposed services

The following services are exposed in factory default state:

- SSH (TCP port 22) – Provides secure command-line access to the equipment.
- SNMPv3 (UDP port 161) – Secure management and monitoring with encryption and authentication.
- mDNS (UDP port 5353) – Enables local service discovery, allowing the use of user-friendly domain names when addressing the equipment, limited to the local network scope.
- ICMP (Ping) – Basic connectivity and availability check.
- HTTPS (TCP port 443) – Provides secure access to the web management interface using TLS encryption.

2 Installation

2.1 Overview

- The KONA Enterprise Gateway has no internal field serviceable parts. The Gateway module must only be opened by an approved TEKTELIC service center.
- All installation practices must be in accordance with the local and national electrical codes.
- Do not work on the system during periods of lightning activity.
- The KONA Enterprise Gateway is considered permanently connected equipment. The Protective Earth Ground connection (that is, the chassis ground) is always required.
- Ensure the KONA Enterprise Gateway Protective Earth Ground connection is properly terminated prior to the connection of any other interface.
- The KONA Enterprise Gateway contains primary lightning surge suppression on the copper Ethernet port, and the LoRa RF antenna port. The primary lightning protectors have the ability to bridge the interface to chassis during over-voltages. Ensure that the Protective Earth Ground connection is always in place.
- An external inline surge protector must be applied to the External Cellular antenna port when used.
- Ensure that the KONA Enterprise Gateway is secured to eliminate any physical hazard to people or property. The Gateway must be securely mounted according to the mounting instructions prior to any cable connection and operation.
- The KONA Enterprise Gateway does not contain a power disconnection device; a readily accessible disconnection device must be incorporated external to the KONA Enterprise Gateway.
- The KONA Enterprise Gateway can only be powered either via PoE (Power-Over-Ethernet) or passive POE combiner. Please note that when using a passive POE combiner, it is vital to use a (minimum 10W) 48V power supply with Hiccup Mode Current Limiting.
- Always ensure the Ethernet connection port and 3G/4G Modem SIM card access port are properly sealed after installation or servicing.

2.2 Unpacking and Inspection

The following should be considered during the unpacking of a new KONA Enterprise Gateway.

1. Inspect the shipping carton and report any significant damage to TEKTELIC.

2. Unpacking should be conducted in a clean and dry location when possible.
3. Do not discard the shipping box or foam inserts as they will be required if a unit is returned for repair or re-configuration.

2.3 Dual SIM Slot Operation

The KONA Enterprise Gateway is equipped with a dual SIM slot which can be configured to the user's liking. The primary and secondary slots can be configured in the software configuration. Prior to inserting or replacing SIM, please ensure that the unit is turned off. When two SIM cards are installed, the system will automatically switch to the secondary SIM if the primary SIM is missing or becomes unavailable. If only one SIM card is used, it should be inserted into slot 0 (the primary, inner slot) as shown in Figure 4 Slot 1 (the outer slot) is reserved for the secondary SIM.



Figure 4: SIM Tray Layout

NOTE: SIM Tray shall not be inserted or removed while the gateway is powered on

2.4 Required Equipment for Installation

The following tools are required to install the KONA Enterprise Gateway module:

1. A 6-point metric socket set and torque wrench drive.
2. Anti-oxidant compound (NO-OX-ID, Penetrox, Noalox, Ox-Gard or equivalent).
3. A small wire brush.
4. A clean cloth.
5. Weatherproofing tape kit for the RF connector (Scotch Wireless Weatherproofing Kit, WK-101 recommended).
6. Supplied pole mounting accessories (shown in) for pole mounting or appropriate screws or bolts (four sized M6) with any required anchors according to the wall construction for wall mounting.

2.5 KONA Enterprise Gateway Mounting

KONA Enterprise Gateway PoE **must** be mounted to a vertical pole or wall using the supplied mounting hardware which attaches to the back of the module as illustrated in 5. The vertical orientation is required for the GPS to function properly.

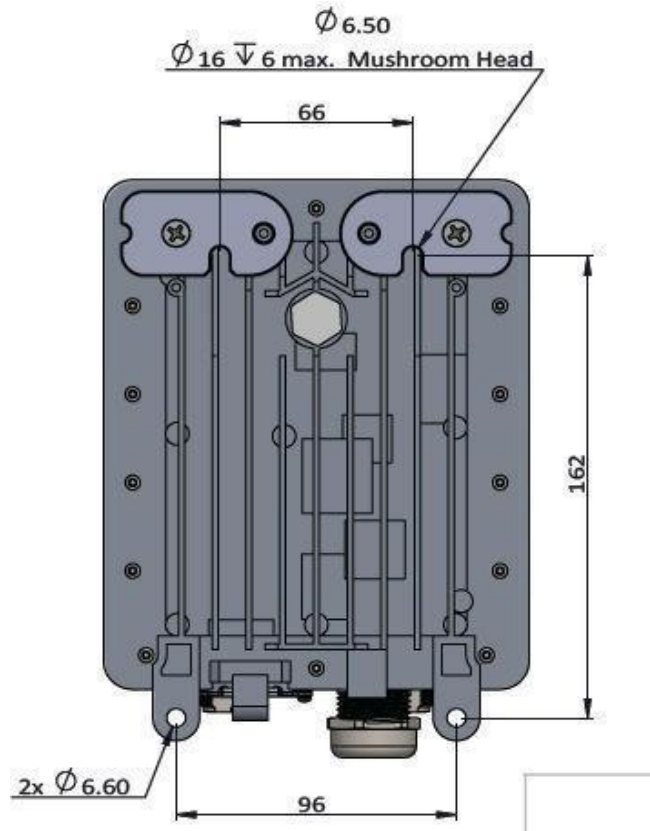


Figure 5: KONA Enterprise Gateway Wall Mounting Screw Locations

When mounted, the Gateway module must be oriented with the connector bulkhead pointed down towards earth as shown in Figure 6 and Figure 8.



Figure 6: KONA Enterprise Gateway Module Wall Mounting Orientation



Figure 7: KONA Enterprise Gateway Module Pole Mounting Accessories

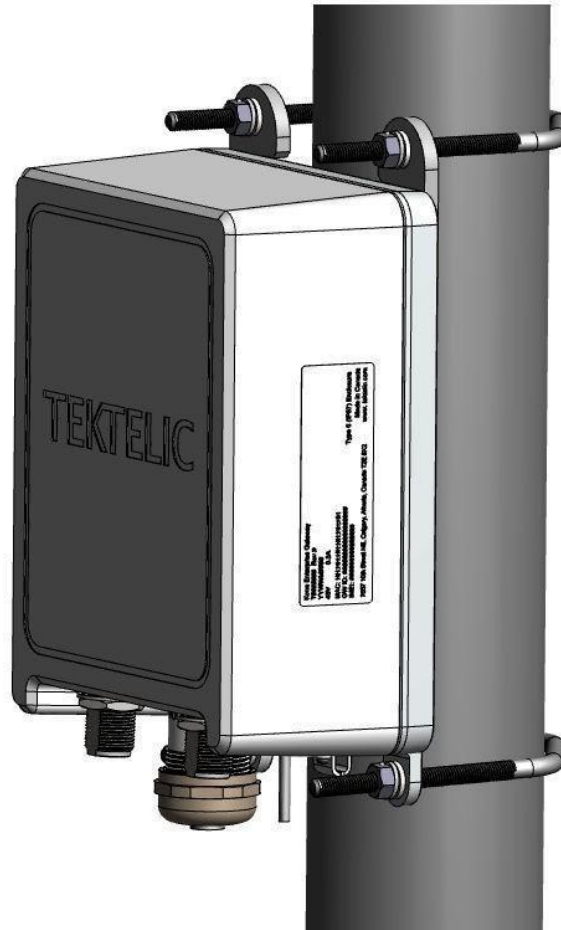


Figure 8: KONA Enterprise Gateway Module Pole Mounting Orientation

2.6 Ground Cable Installation

The KONA Enterprise Gateway is considered Permanently Connected Equipment and requires a permanently connected Protective Earth Ground (PEG) conductor. The Protective Earth Ground connection is made through a M4/#8 on center hole lug with 10mm maximum OD to the ground termination point illustrated in Figure 9. The recommended ground cable gauge is #10 AWG. The KONA Enterprise Gateway grounding system shall follow local and national electrical codes. The Protective Earth Ground conductor terminated at the hole lug point is mandatory and must be the first connection made to the KONA Enterprise Gateway during installation. Proper routing and termination of this cable is key to robust lightning withstand performance; in high susceptibility installations, every effort shall be made to minimize connection inductance and ground bed resistance. The ground cable installation steps are as follows:

1. Lightly abrade the surface of the casting ground area with a fine wire brush to remove the oxide layer.
2. Use a clean cloth to remove any debris from this surface.
3. Immediately coat the contact surface with a thin layer of anti-oxidant compound.
4. Install the ground cable through its single hole lug onto the chassis ground point using the supplied M4x0.7 – 12mm bolt with flat, lock, and star washers, torqued to 2.4Nm (22 in·lbs).

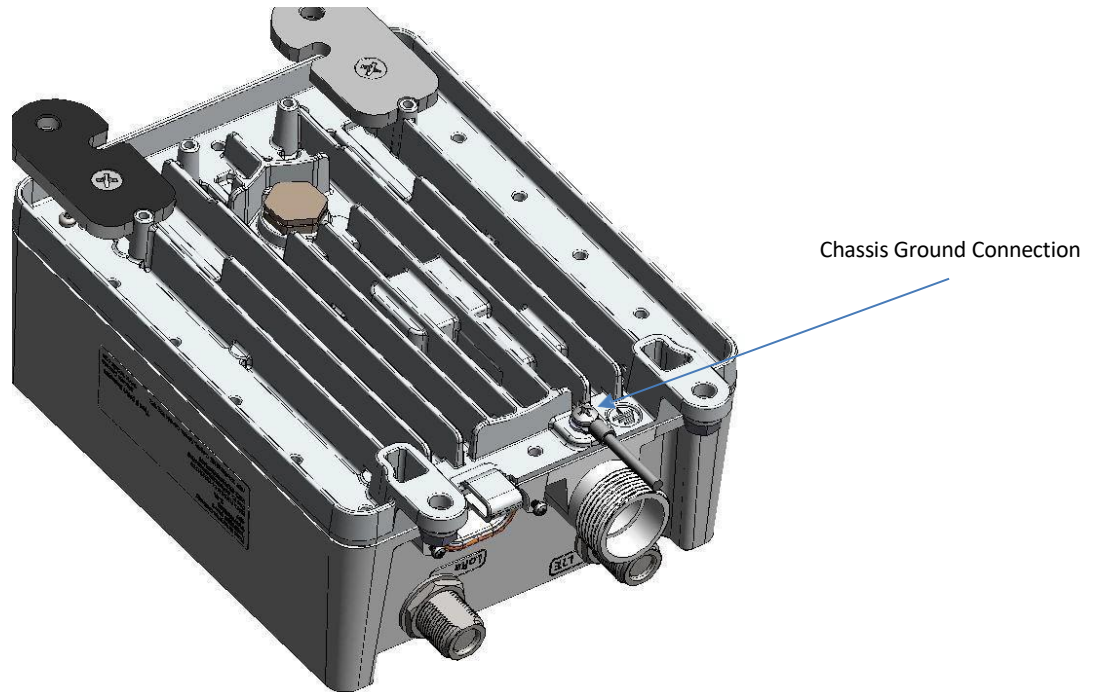


Figure 9: KONA Enterprise Gateway Module Ground Connection Point

2.7 RF Cable Installation

The KONA Enterprise Gateway installation allows connection to an external LoRa RF antenna and an external Cellular RF antenna. The RF cables attach to an N-Type connector located on the bulkhead of the Gateway. Torque the cable RF connector to 0.79 to 1.13 Nm (7 to 10 in·lbs). The N-Type connector interface to a cable is not water proof and must be taped. TEKTELIC recommends taping with Scotch Wireless Weatherproofing Kit, WK-101. Follow the taping procedures outlined by the supplier of this tape system.

Note that the Cellular antenna port is not surge protected internal to the Gateway, an external surge suppressor such as Polyphaser p/n TSX-NFM or equivalent is recommended any time an external cellular antenna is connected.

2.8 Copper Ethernet Cable Installation

The KONA Enterprise Gateway Ethernet port must be used to power the gateway and may further be used for backhaul or commissioning and maintenance. As shown in Figure 10, pass the Ethernet cable through the cable gland supplied with the module. Plug the cable into the modular jack on the module, then tighten the cable gland to the module with torque 6 Nm.

The cable gland grommet is designed to accept Ethernet cables with a jacket diameter in the range of 4 to 6 mm.

The Ethernet cable must have minimum 24 AWG conductors and shall be rated according to local and national electrical codes.



Figure 10: KONA Enterprise Gateway Module Cable Gland

2.9 Proposition 65 Statement

WARNING: This product can expose you to chemicals including lead, beryllium & nickel, which is known to the State of California to cause cancer, birth defects or other reproductive harm. For more information, go to www.P65Warnings.ca.gov.

3 Radio Compliance Statements

Federal Communications Commission

This device complies with Part 15 of the FCC Rules. Operation is subject to the following two conditions:

1. This device may not cause harmful interference, and
2. This device must accept any interference received, including interference that may cause undesired operation.

Changes or modifications not expressly approved by the party responsible for compliance could void the user's authority to operate the equipment.

This equipment has been tested and found to comply with the limits for a Class B digital device, pursuant to Part 15 of the FCC Rules. These limits are designed to provide reasonable protection against harmful interference in a residential installation. This equipment generates uses and can radiate radio frequency energy and, if not installed and used in accordance with the instructions, may cause harmful interference to radio communications. However, there is no guarantee that interference will not occur in a particular installation. If this equipment does cause harmful interference to radio or television reception, which can be determined by turning the equipment off and on, the user is encouraged to try to correct the interference by one of the following measures:

- Reorient or relocate the receiving antenna.
- Increase the separation between the equipment and receiver.
- Connect the equipment into an outlet on a circuit different from that to which the receiver is connected.
- Consult the dealer or an experienced radio/TV technician for help.

To comply with FCC/IC RF exposure limits for general population / uncontrolled exposure, the antennas used for this transmitter must be installed to provide a separation distance of at least 30 cm from all persons and must not be co-located or operating in conjunction with any other antenna or transmitter. This product must be installed by professional trained RF technicians.

Industry Canada

This Device complies with Industry Canada License-exempt RSS standard(s). Operation is subject to the following two conditions:

1. This device may not cause interference, and
2. This device must accept any interference, including interference that may cause undesired operation of the device.

This radio transmitter 22504-T0009193 has been approved by Industry Canada to operate with the antenna types listed below with the maximum permissible gain indicated. Antenna types not included in this list, having a gain greater than the maximum gain indicated for that type, are strictly prohibited for use with this device.

The required antenna impedance is 50 ohms.

Only omnidirectional type antennas with maximum gain of 8dBi can be used for the LoRa radio of this product. Antenna(s) shall be installed to location providing a separation distance of at least 15.75 inches (40 cm) from any human body.

During product operation, always keep a separation distance of at least 15.75 inches (40 cm) from any connected antenna(s). Before servicing the product, the antenna(s) or cables, turn off the transmission function or the unit power if you have to get closer than the minimum separation distance. This product must be installed by professional trained RF technicians.

Industrie Canada

Cet appareil est conforme aux normes RSS exemptes de licence d'Industrie Canada. Son fonctionnement est soumis aux deux conditions suivantes :

1. Cet appareil ne doit pas causer d'interférences, et
2. Cet appareil doit accepter toute interférence, y compris celles pouvant entraîner un fonctionnement indésirable de l'appareil.

Ce transmetteur radio 22504-T0009193 a été approuvé par Industrie Canada pour fonctionner avec les types d'antennes énumérés ci-dessous avec le gain maximal autorisé indiqué. Les types d'antennes non inclus dans cette liste, ayant un gain supérieur au gain maximal indiqué pour ce type, sont strictement interdits pour une utilisation avec cet appareil.

L'impédance requise de l'antenne est de 50 ohms.

Seules les antennes de type omnidirectionnel avec un gain maximal de 8 dBi peuvent être utilisées pour la radio LoRa de ce produit. L'antenne ou les antennes doivent être installées à un emplacement offrant une distance de séparation d'au moins 40 cm (15,75 pouces) de tout corps humain.

Pendant le fonctionnement du produit, maintenez toujours une distance de séparation d'au moins 40 cm (15,75 pouces) de toute antenne connectée. Avant de procéder à l'entretien du produit, de l'antenne ou des câbles, éteignez la fonction de transmission ou l'alimentation de l'appareil si vous devez vous rapprocher de la distance minimale de séparation. Ce produit doit être installé par des techniciens RF professionnels et formés.

Document Revision

Revision	Issue Date	Status	Editor	Comments
0.1	Nov 19, 2020	Obsolete	H. A.	First release
1.0	March 23, 2021	Obsolete	C.A.	2nd Revision
1.1	April 14, 2021	Obsolete	H. A.	3rd Revision
1.2	April 19, 2021	Obsolete	S..M	Updated power specification
1.3	May 20, 2021	Obsolete	Z..H	Updated T-Codes/Order Codes
1.4	July 14, 2021	Obsolete	H.A.	Professional Installation Remark
1.5	June 29, 2021	Obsolete	C.A.	Add Note in Section 2.3 Update SIM Slot
1.6	Sept. 12, 2024	Obsolete	S.M.	Added Ethernet port grommet information
1.7	Oct 15, 2025	Obsolete	A. K.	New section added: Exposed Services
1.8	Jan 29, 2026	Obsolete	A.K.	Updated Table 1, included Order codes, removed Gen 1 Models
1.9	Apr 23, 2026	Released	A.K.	Updated Table 1, Update Figure 4